



MAGIC BOX

► H170



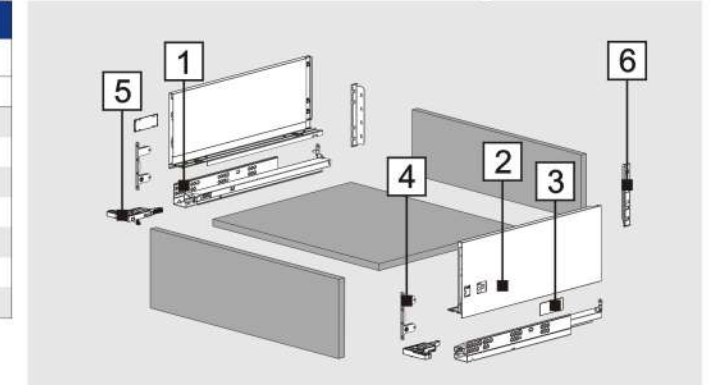
Order information

H170mm Magic box item code

Nominal length	Front fixing bracket			
	Dowel-Soft closing	Screw-Soft closing	Dowel-Rebound	Screw-Rebound
270 mm	DBE4.270C.(*)	DBE3.270C.(*)	DBRE4.270C.(*)	DBRE3.270C.(*)
300 mm	DBE4.300C.(*)	DBE3.300C.(*)	DBRE4.300C.(*)	DBRE3.300C.(*)
350 mm	DBE4.350C.(*)	DBE3.350C.(*)	DBRE4.350C.(*)	DBRE3.350C.(*)
400 mm	DBE4.400C.(*)	DBE3.400C.(*)	DBRE4.400C.(*)	DBRE3.400C.(*)
450 mm	DBE4.450C.(*)	DBE3.450C.(*)	DBRE4.450C.(*)	DBRE3.450C.(*)
500 mm	DBE4.500C.(*)	DBE3.500C.(*)	DBRE4.500C.(*)	DBRE3.500C.(*)
550 mm	DBE4.550C.(*)	DBE3.550C.(*)	DBRE4.550C.(*)	DBRE3.550C.(*)

Remarks:
 (*):Color: Matt white (MW) / Dark grey(DG)
 The complete set basic components includes : 1.Concealed slide Left/Right
 2.Drawer side Left/Right 3.Plastic covers 1*2pcs 4.Front fixing brackets 1*2pcs
 5.Clip-on fixing Left/Right 6.Back panel adapters 1*2pcs

Product breakdown drawing



1.Concealed slide Left/Right

Description	Concealed slide-Soft closing	Concealed slide - Rebound
	DBE.(*)SL	DBRE.(*)SL
Remarks:(*):Nominal length:270/300/350/400/450/500/550		

2.Drawer side Left/Right

Description	Drawer side Left/Right
	DBE.170*(*)W
Remarks:(*):Nominal length:270/300/350/400/450/500/550	

3.Plastic covers

Description	Plastic covers
	DA1101E1

4.Front fixing brackets

Description		Front fixing brackets	
Dowel	Screw	Dowel	Screw
		DA1102E4	DA1102E3

5.Clip-on fixing Left/Right

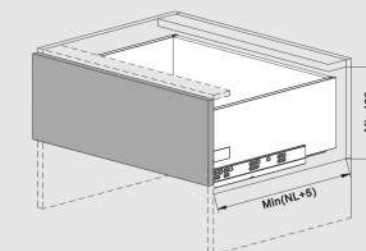
Description	Clip-on fixing Left/Right
	DBE.SL1

6.Back panel adapters

Description	Back panel adapters
	DA1103E1.170

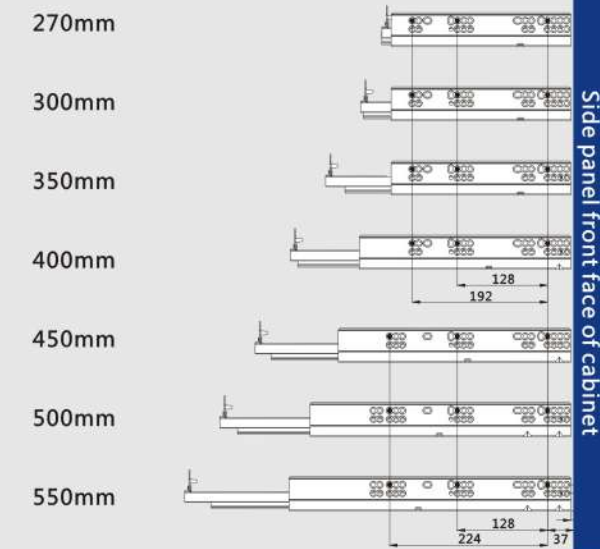
Space required

NL: Nominal length



Runner Installation

Nominal length



Side panel front face of cabinet

Magic box-170mm

- Full extension with self closing and soft closing/Rebound
- Fashionable appearance,slow motion,easy assembling
- Drawer height 170MM
- Synchronized concealed slide, loading capacity 30KGS
- Epoxy coated
- 3D regulations,up and down,left and right,front and back
- Mat:steel



Cutting size

NL: Nominal length

LW:Inner Cabinet Width

