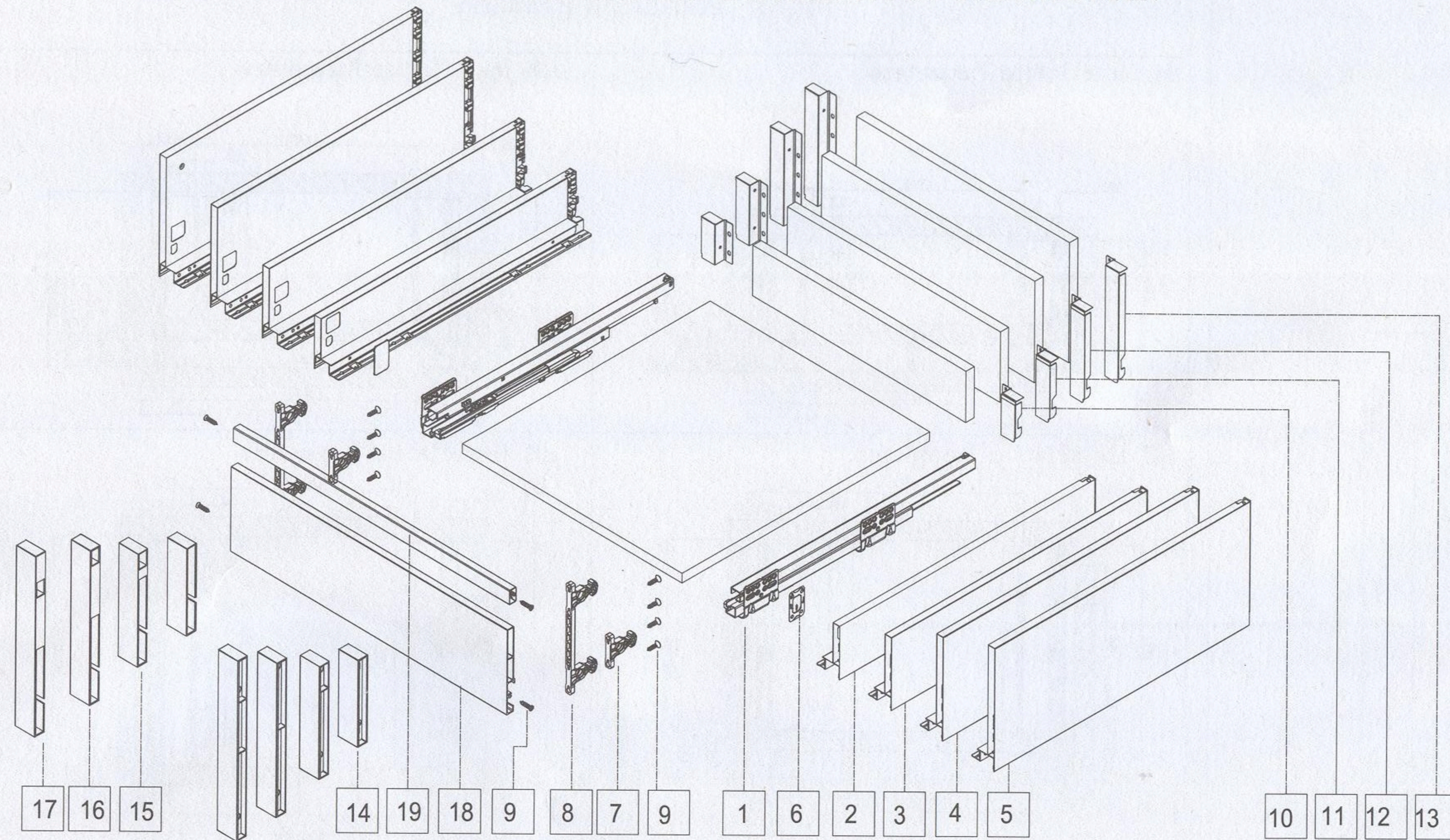
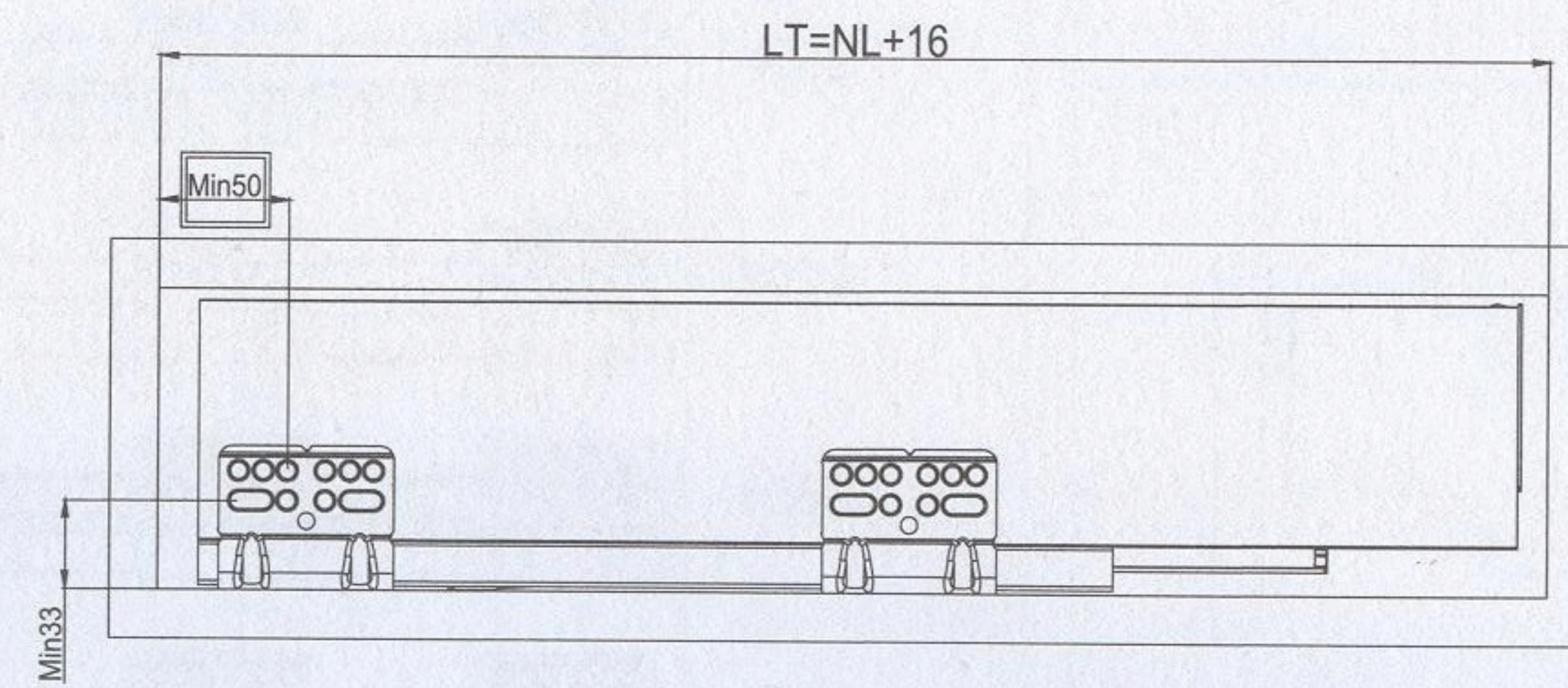


84/116/167/199 SLIM BOX - INNER DRAWER INSTALLATION INSTRUCTION

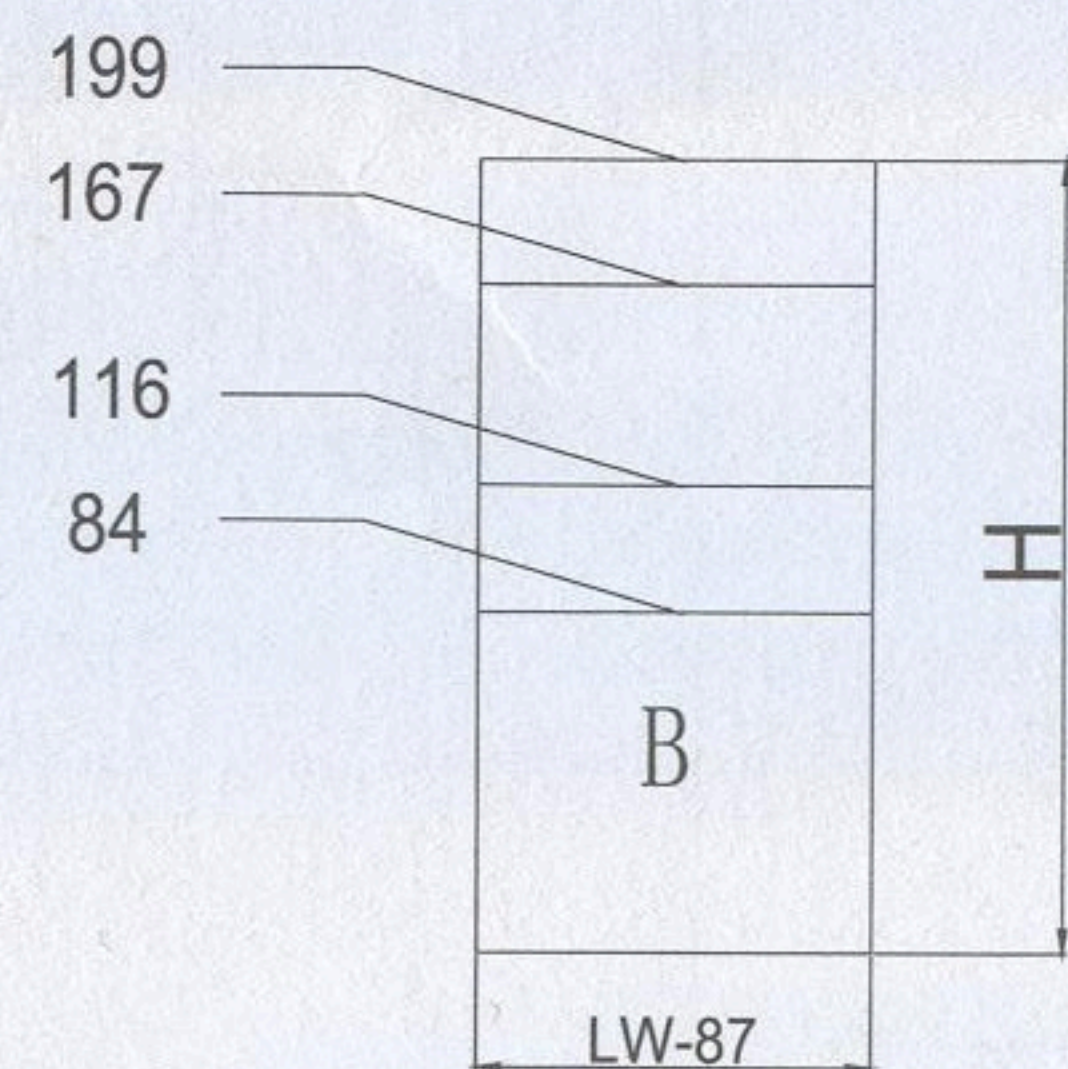


- | | | |
|----------------------|--------------------------------|---|
| 1. slides | 8. Front Connectors-199 | 15. Inner Drawer Connectors-116 |
| 2. Drawer Walls-84 | 9. Screws For Front Connectors | 16. Inner Drawer Connectors-167 |
| 3. Drawer Walls-116 | 10. Back Panel Connectors-84 | 17. Inner Drawer Connectors-199 |
| 4. Drawer Walls-167 | 11. Back Panel Connectors-116 | 18. Inner Drawer Front Panel |
| 5. Drawer Walls-199 | 12. Back Panel Connectors-167 | 19. Square Railing for Inner Drawer Front Panel |
| 6. Decorative Covers | 13. Back Panel Connectors-199 | |
| 7. Front Connectors | 14. Inner Drawer Connectors-84 | |

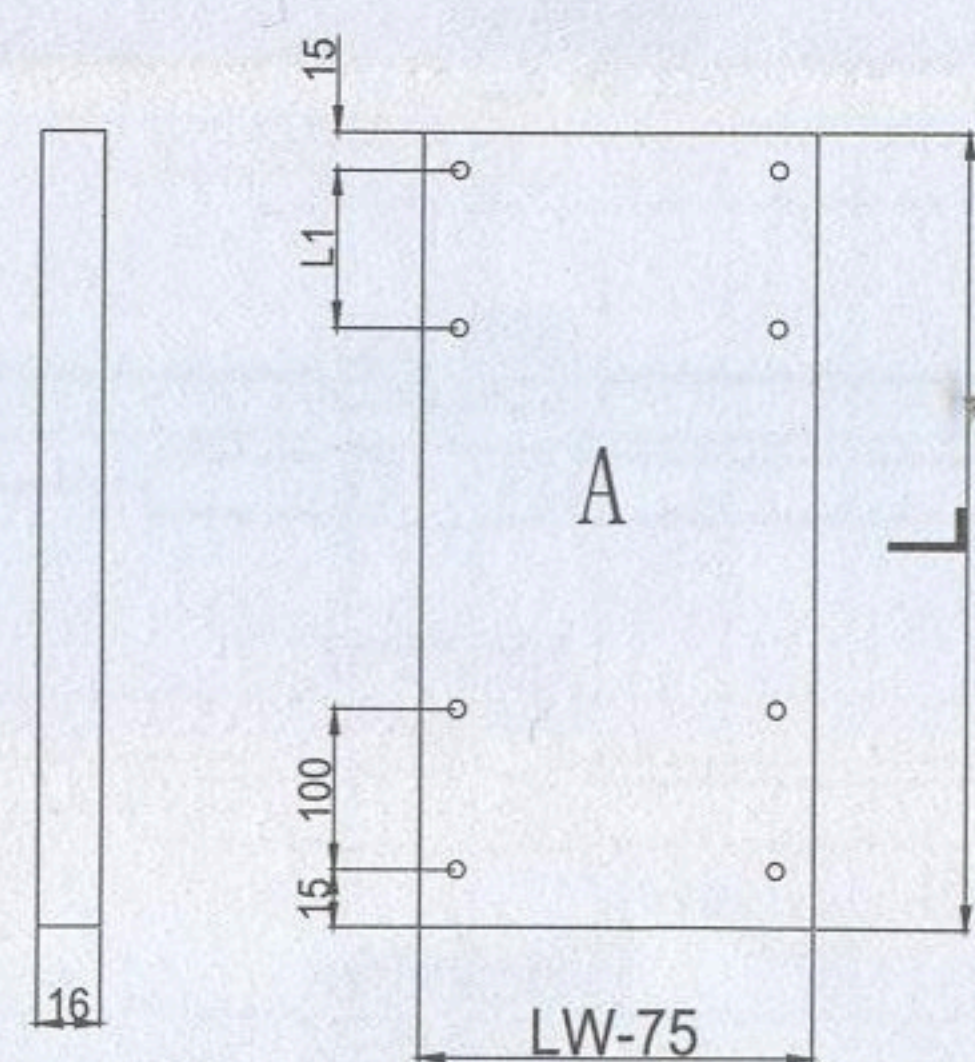
DEPTH SPACE FOR INSTALLATION



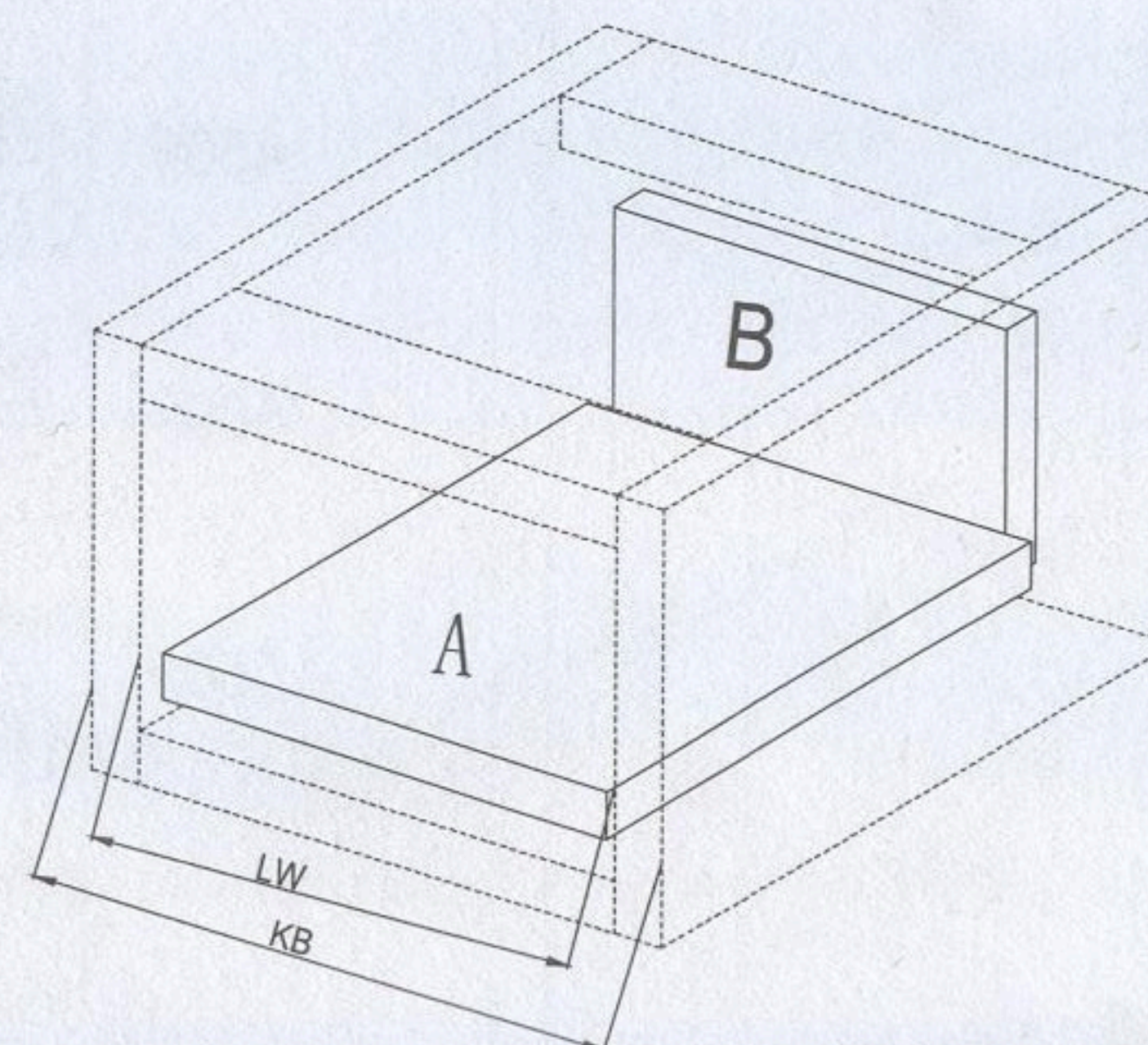
BACK PANEL



BOTTOM PANEL L=NL-24



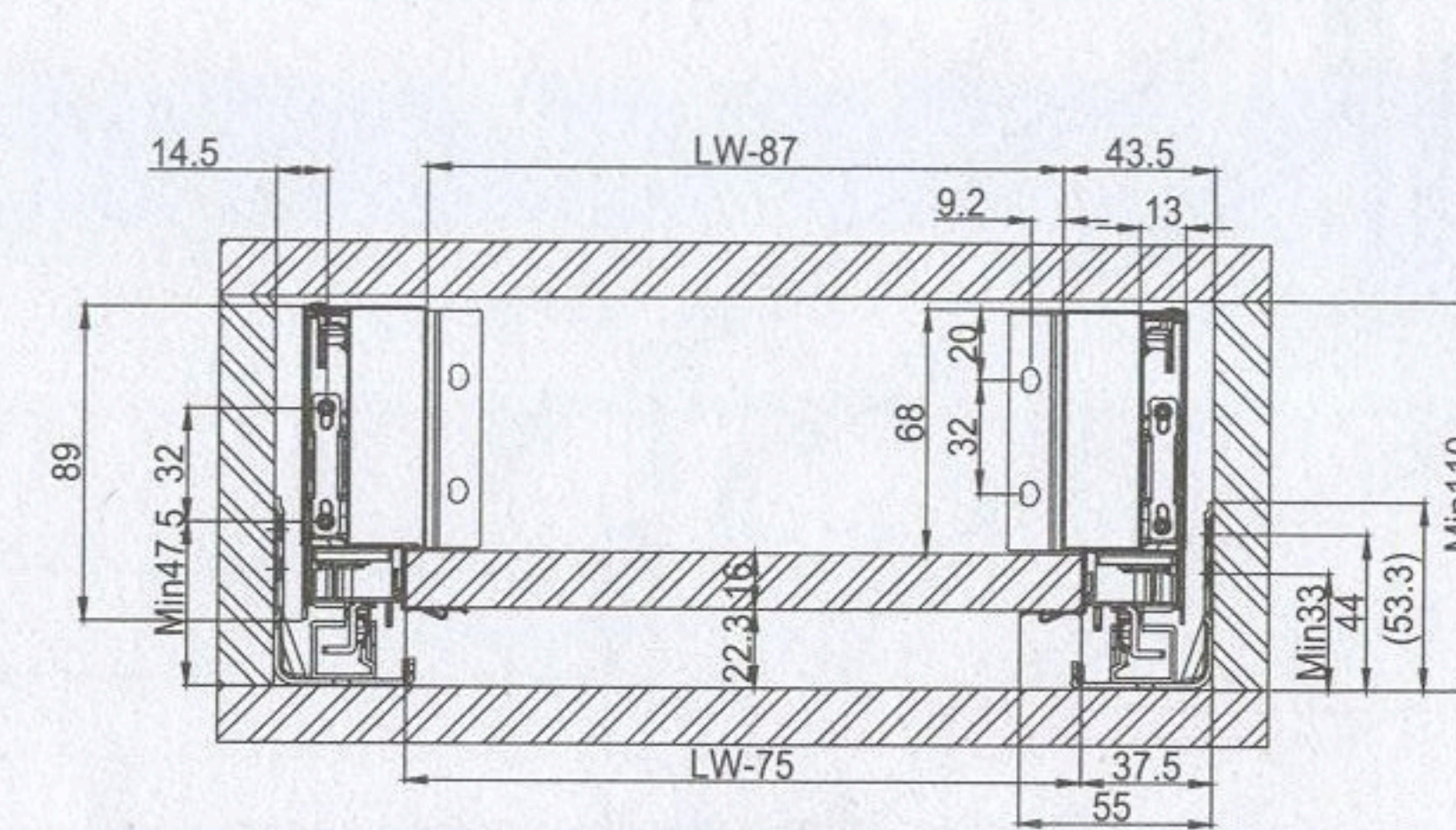
KB=OUTER WIDTH OF CABINET
LW=INNER WIDTH OF CABINET
NL=NOMINAL LENGTH



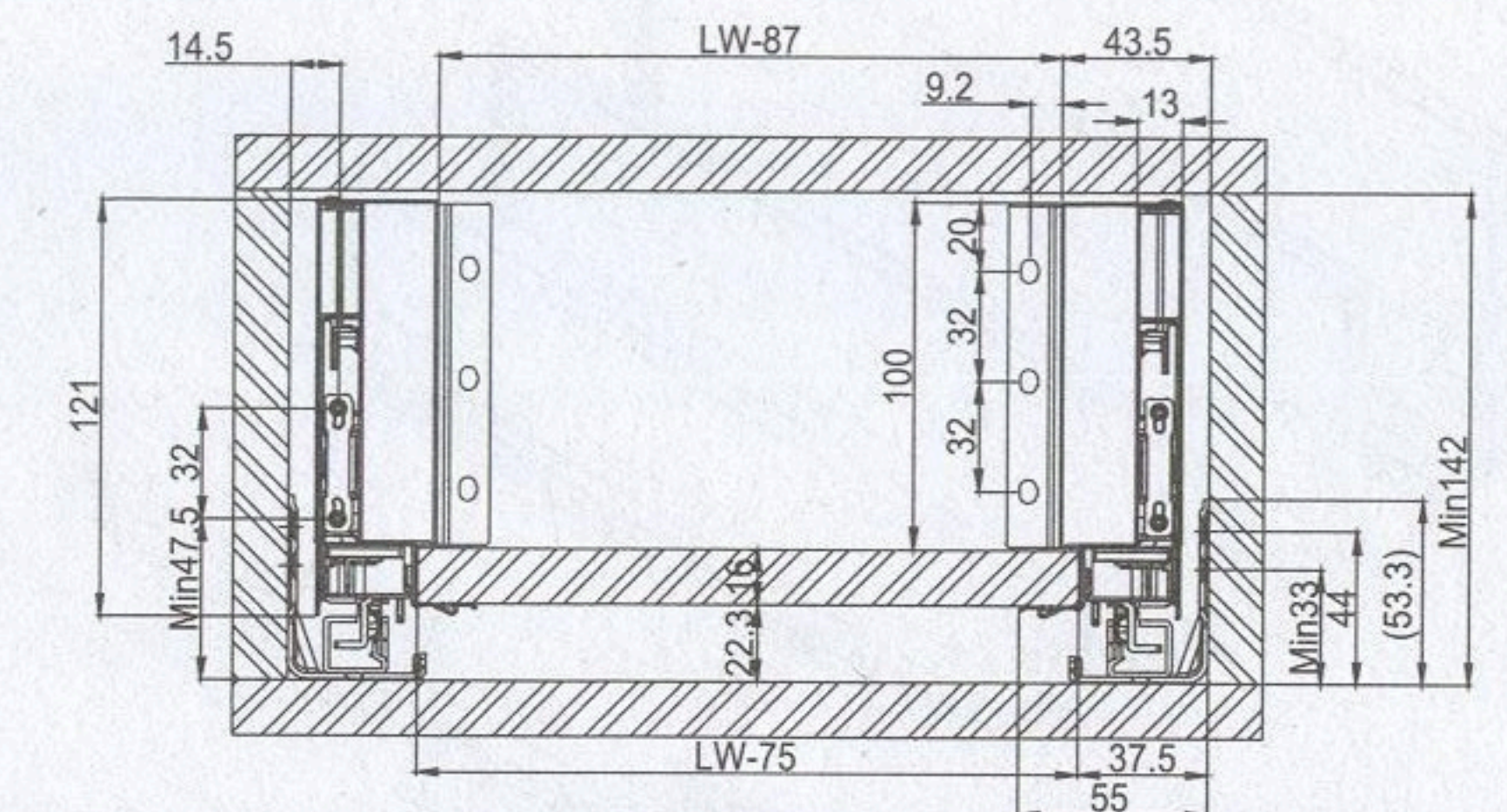
HEIGHT	84	116	167	199	LENGTH	250	270	300	350	400	450	500	550
H(mm)	84	116	167	199	L1(mm)	0	0	0	100	100	100	100	100

INSTALLATION PARAMETERS

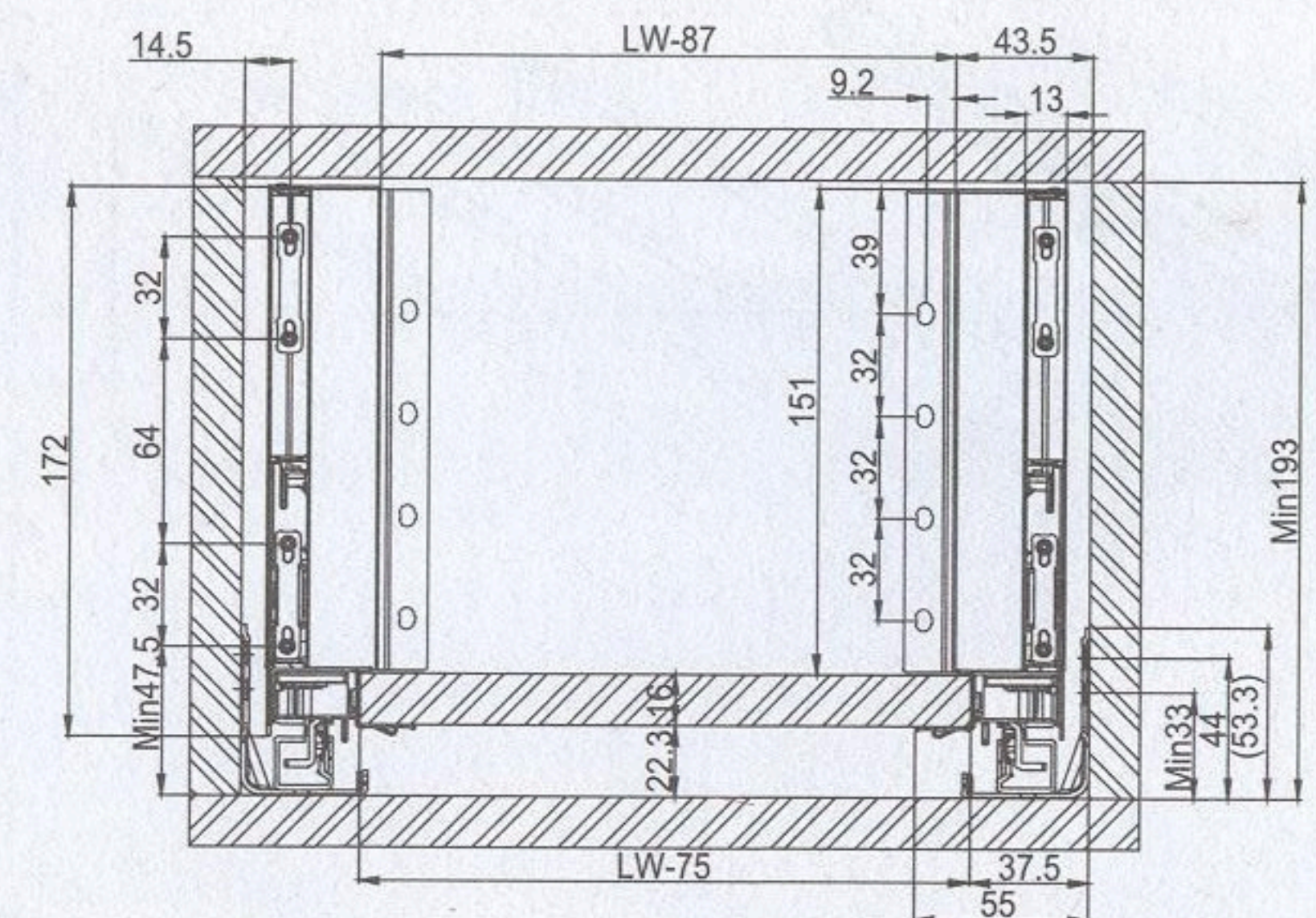
84 INSTALLATION PARAMETERS



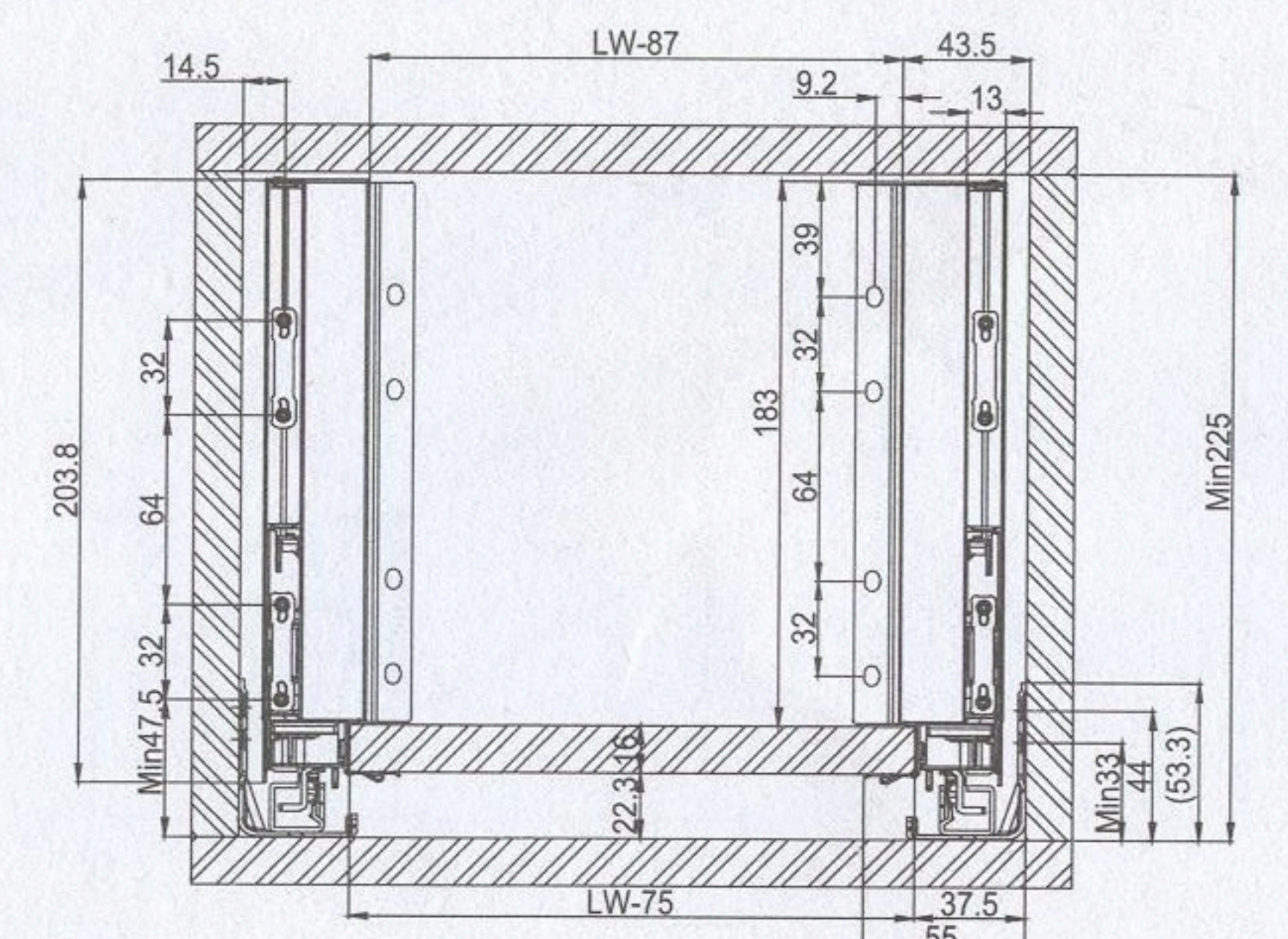
116 INSTALLATION PARAMETERS



167 INSTALLATION PARAMETERS

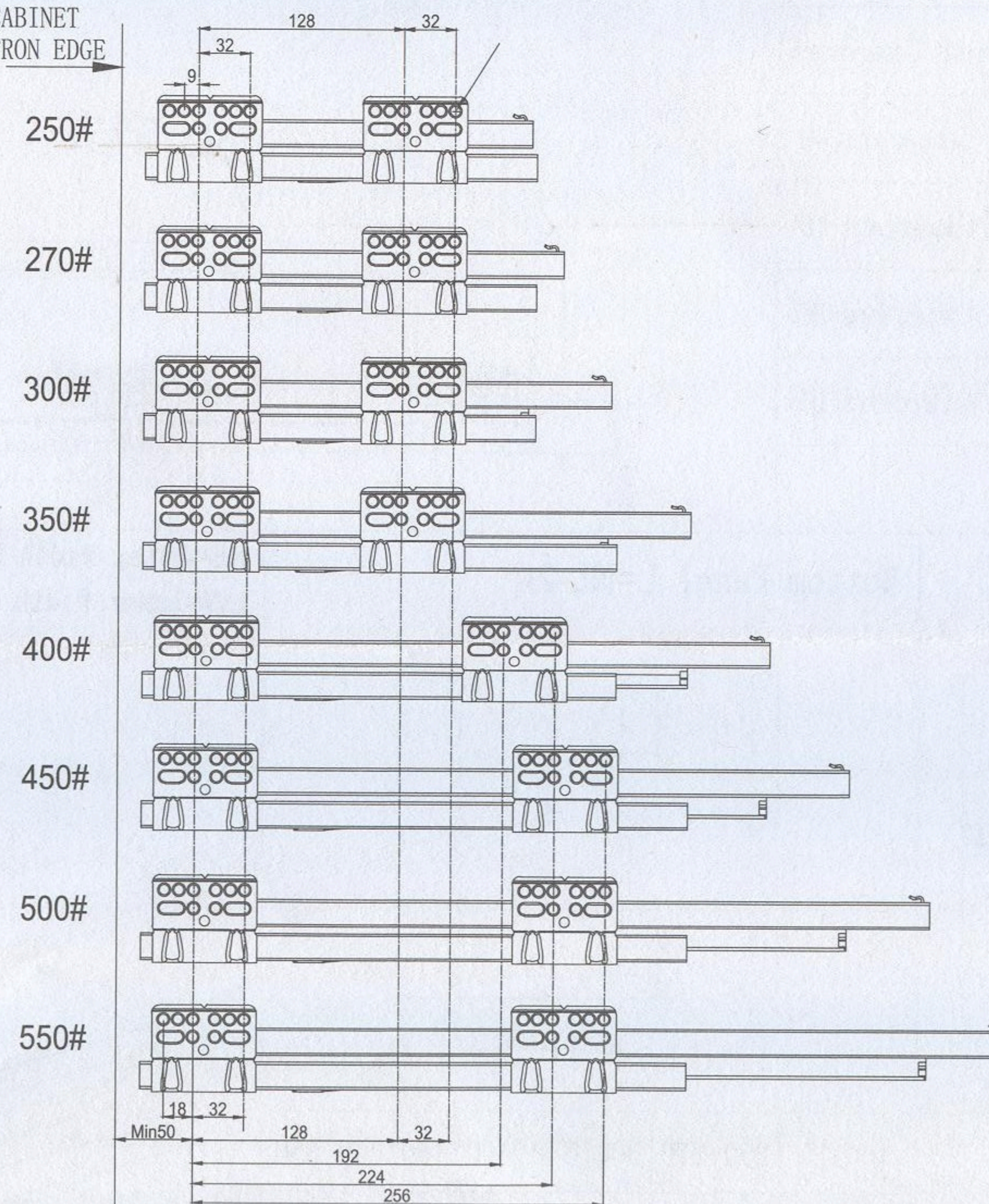


199 INSTALLATION PARAMETERS



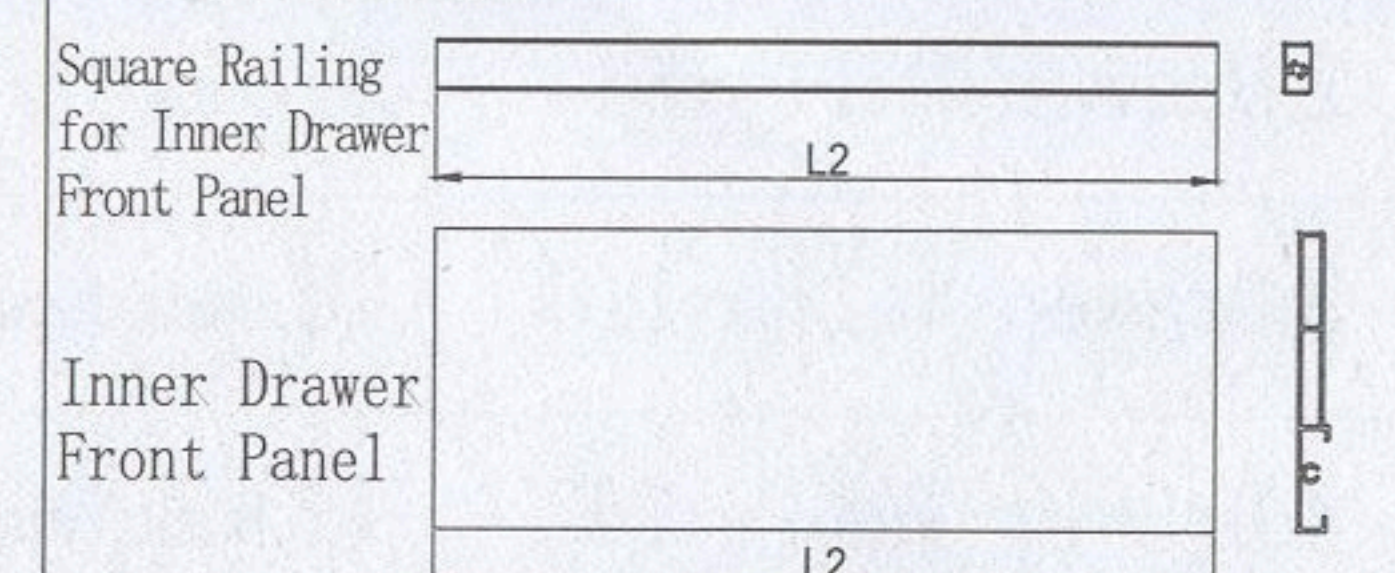
MOUNTING HOLES FOR RAILS

CABINET FRON EDGE



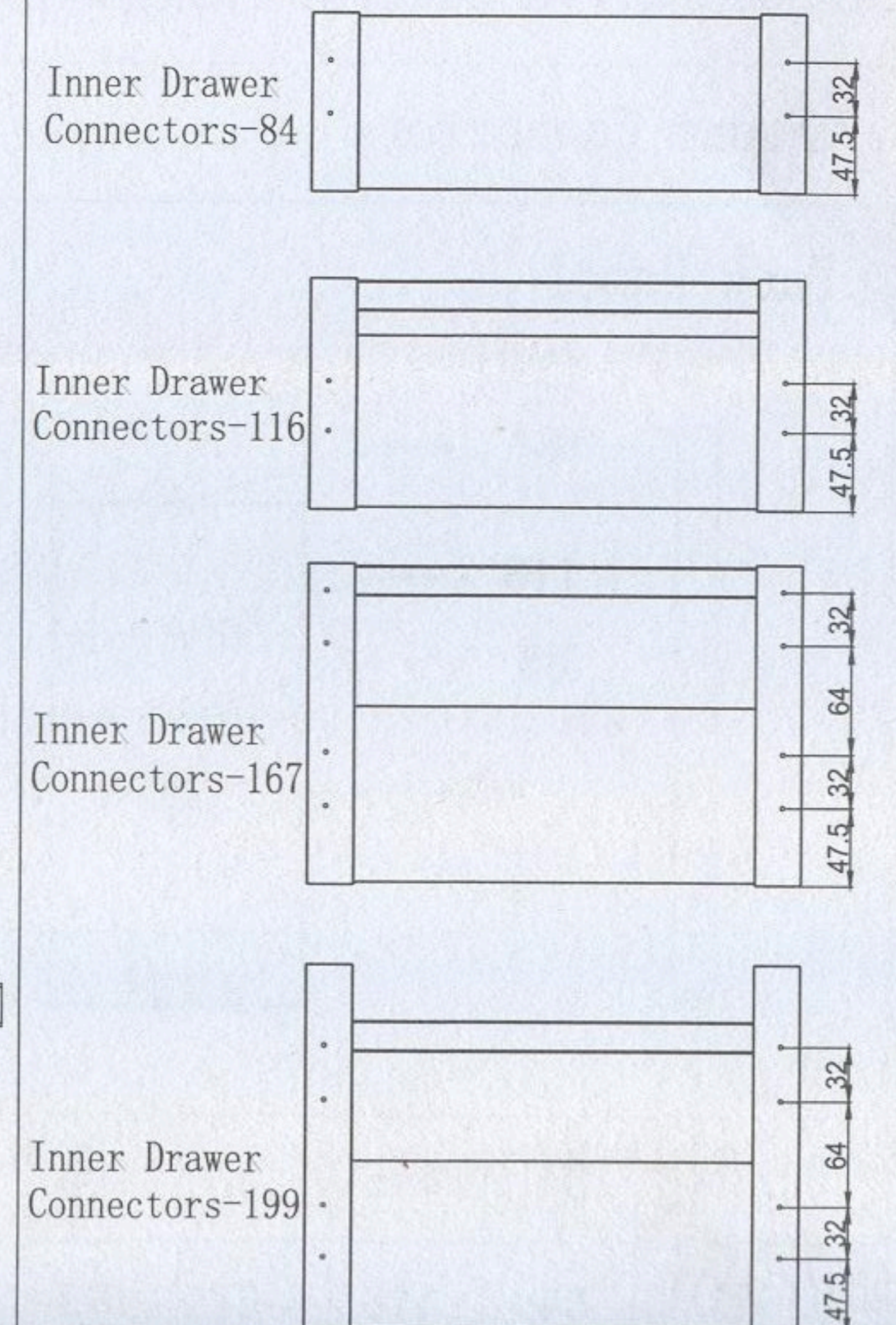
Cutting size for inner Drawer installation

$$L2=LW-37$$

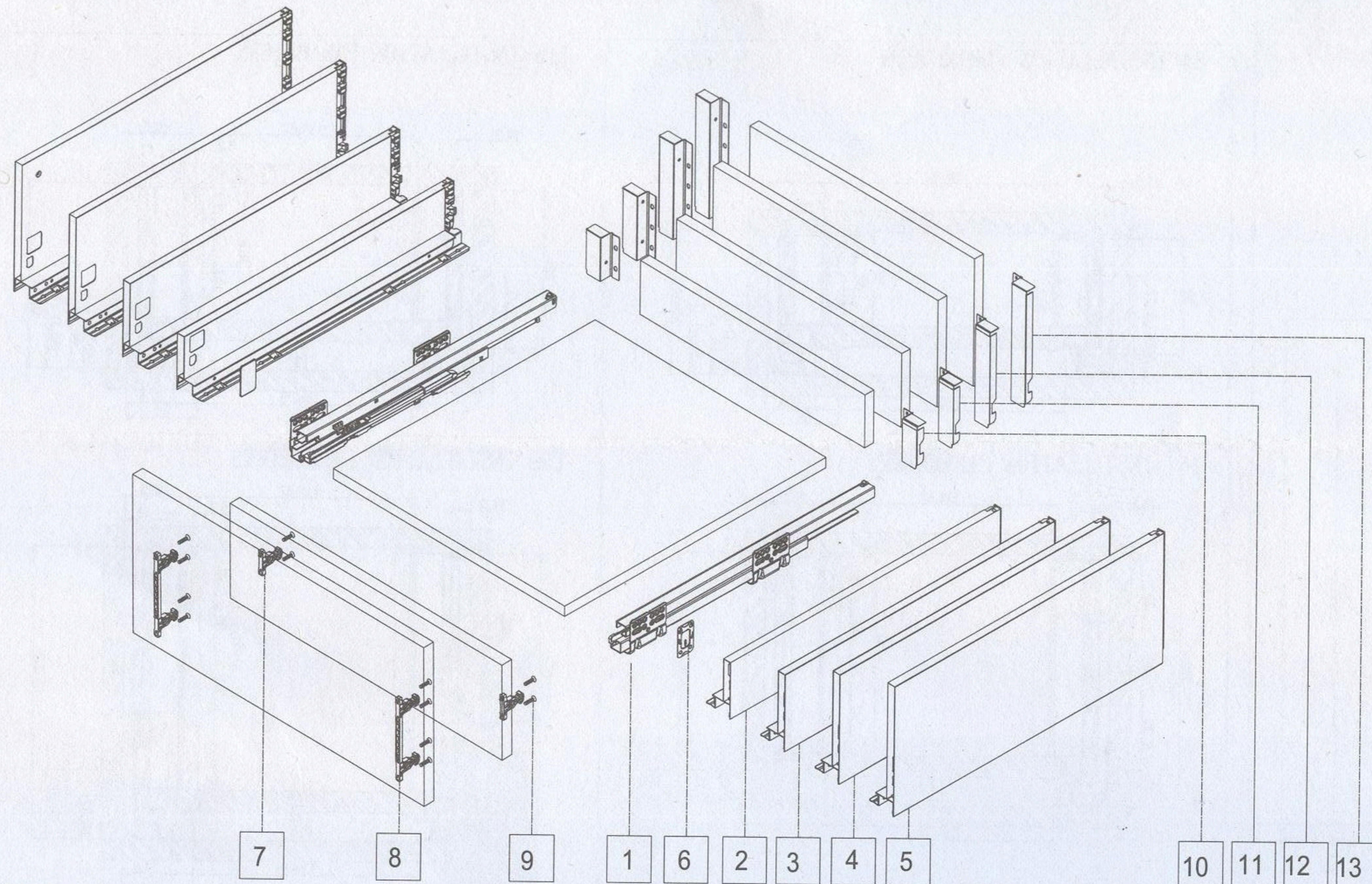


Note: Cutting square railing and inner panel together to reduce error (same length)

INNER DRAWER AFTER INSTALLATION

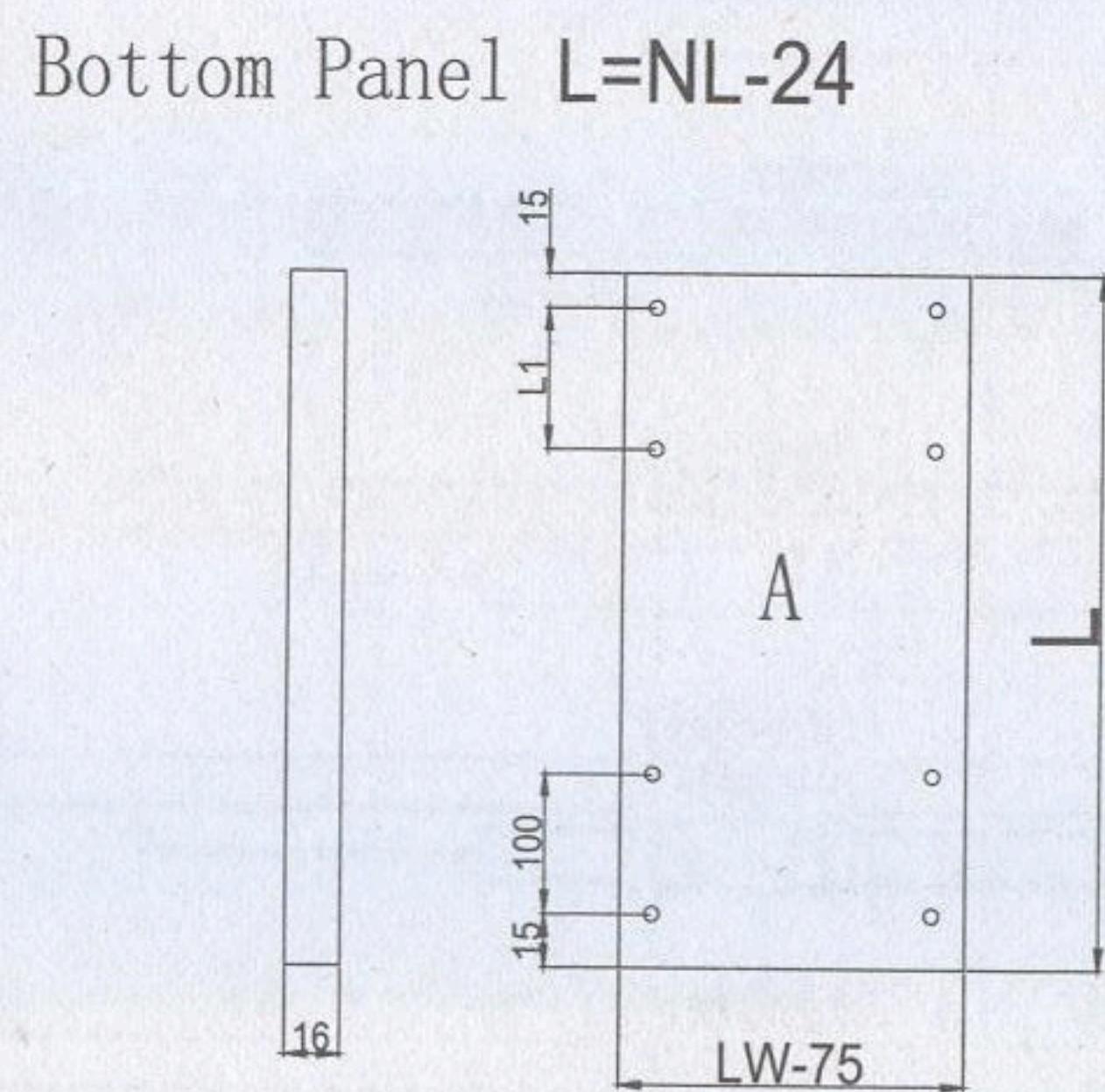
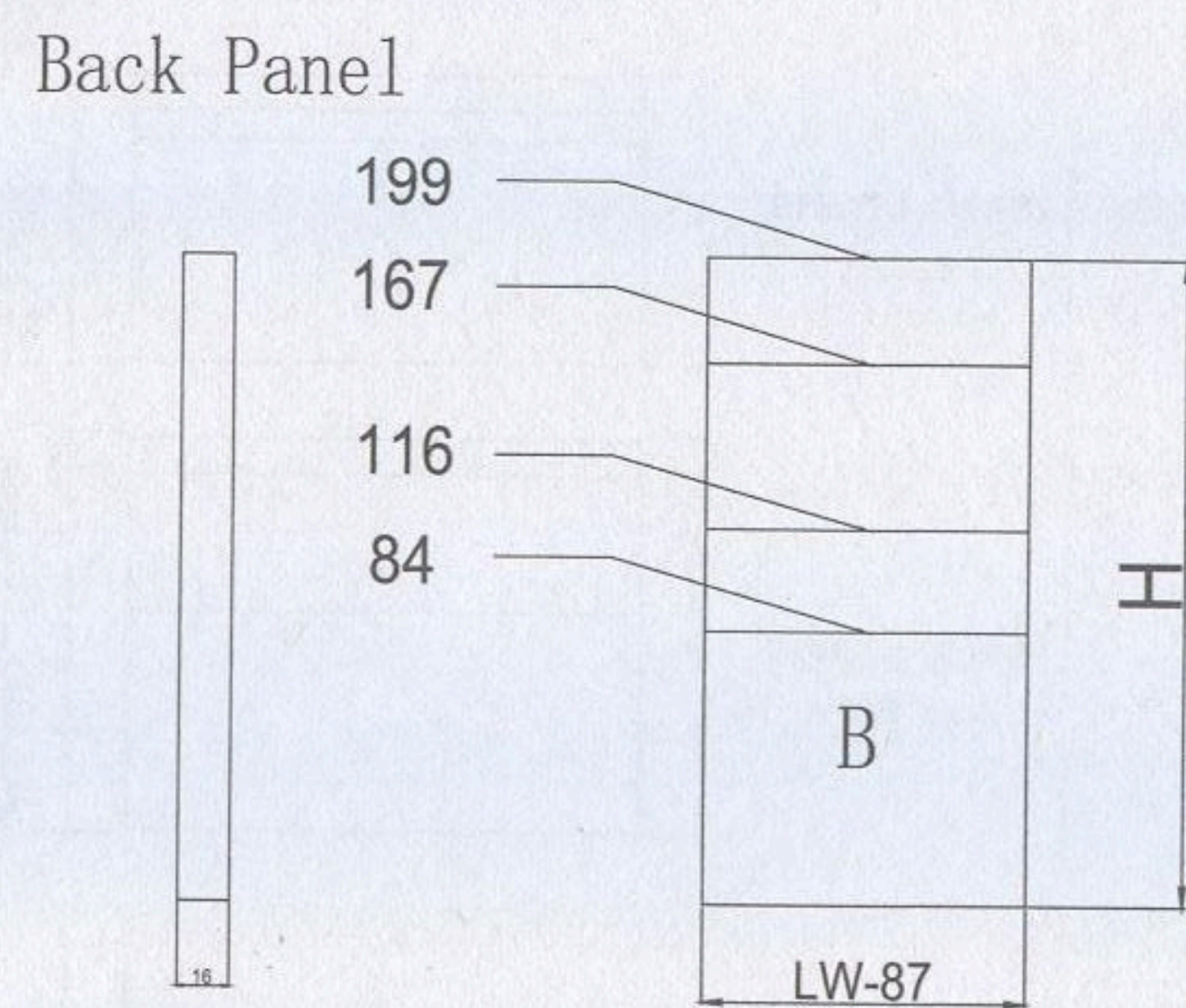
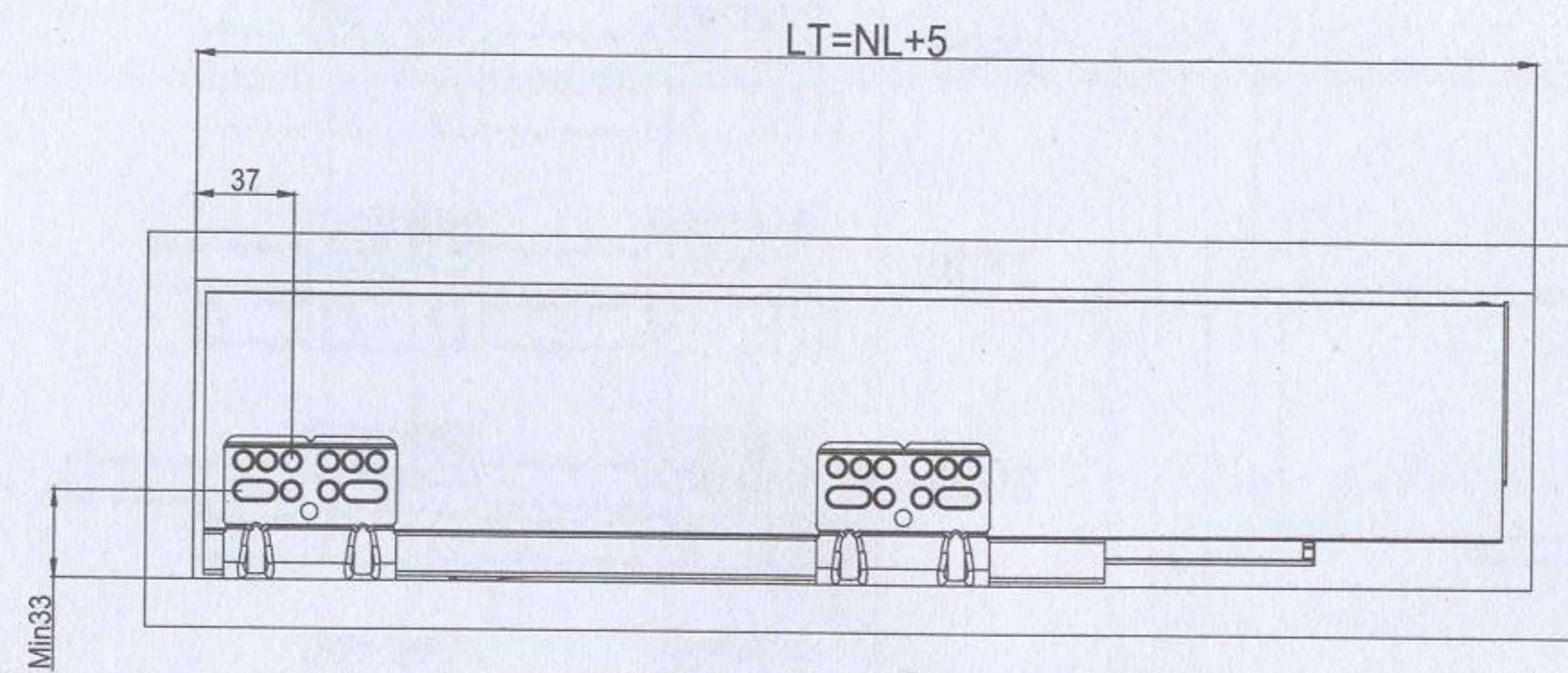


84/116/167/199 SLIM BOX - INNER DRAWER INSTALLATION INSTRUCTION

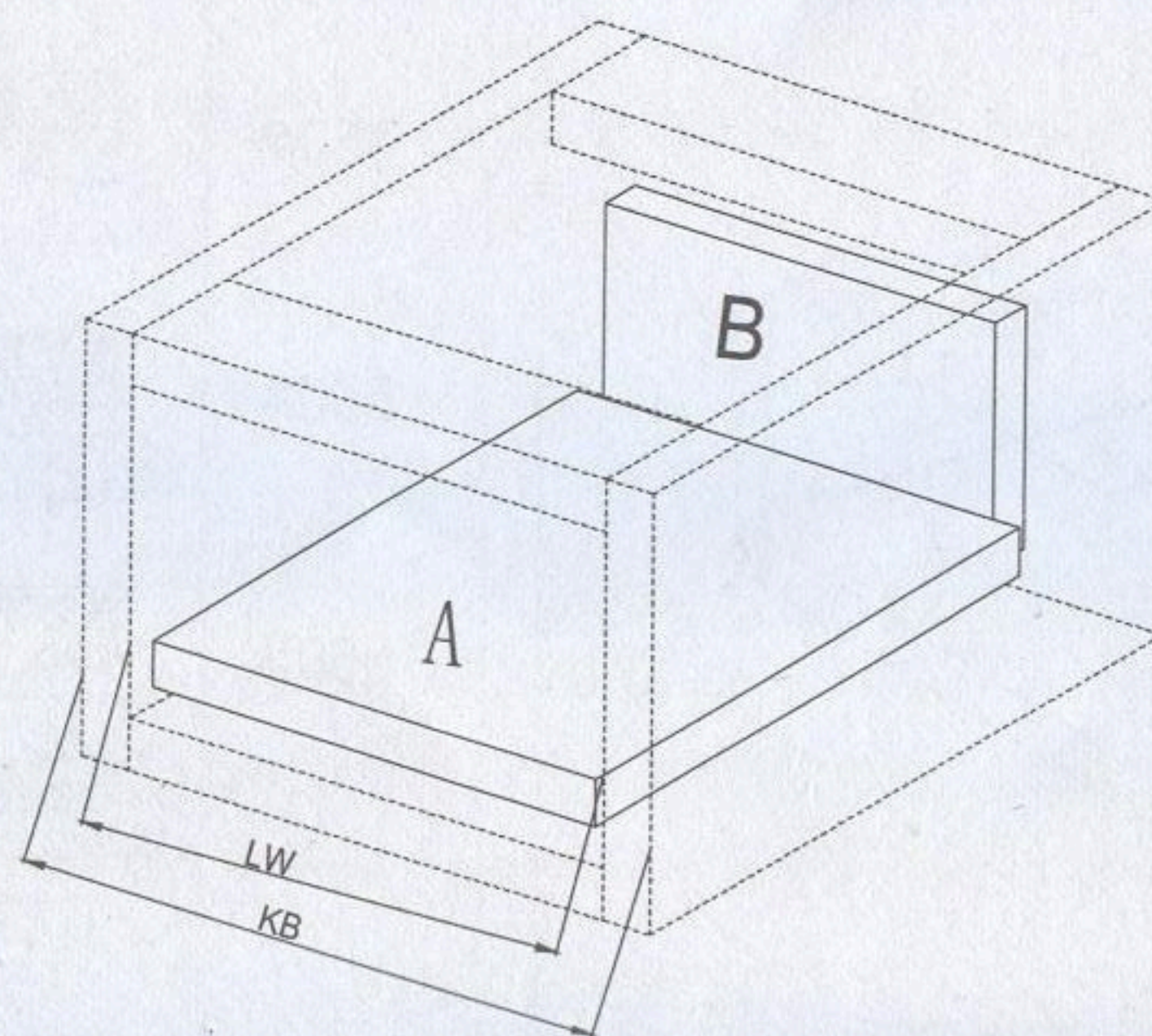


- 1.Slides
- 2.Drawer Walls-84
- 3.Drawer Walls-116
- 4.Drawer Walls-167
- 5.Drawer Walls-199
- 6.Decorative Covers
- 7.Front Connectors
- 8.Front Connectors-199
- 9.Screws For Front Connectors
- 10.Back Panel Connectors-84
- 11.Back Panel Connectors-116
- 12.Back Panel Connectors-167
- 13.Back Panel Connectors-199

Depth Space For Installation



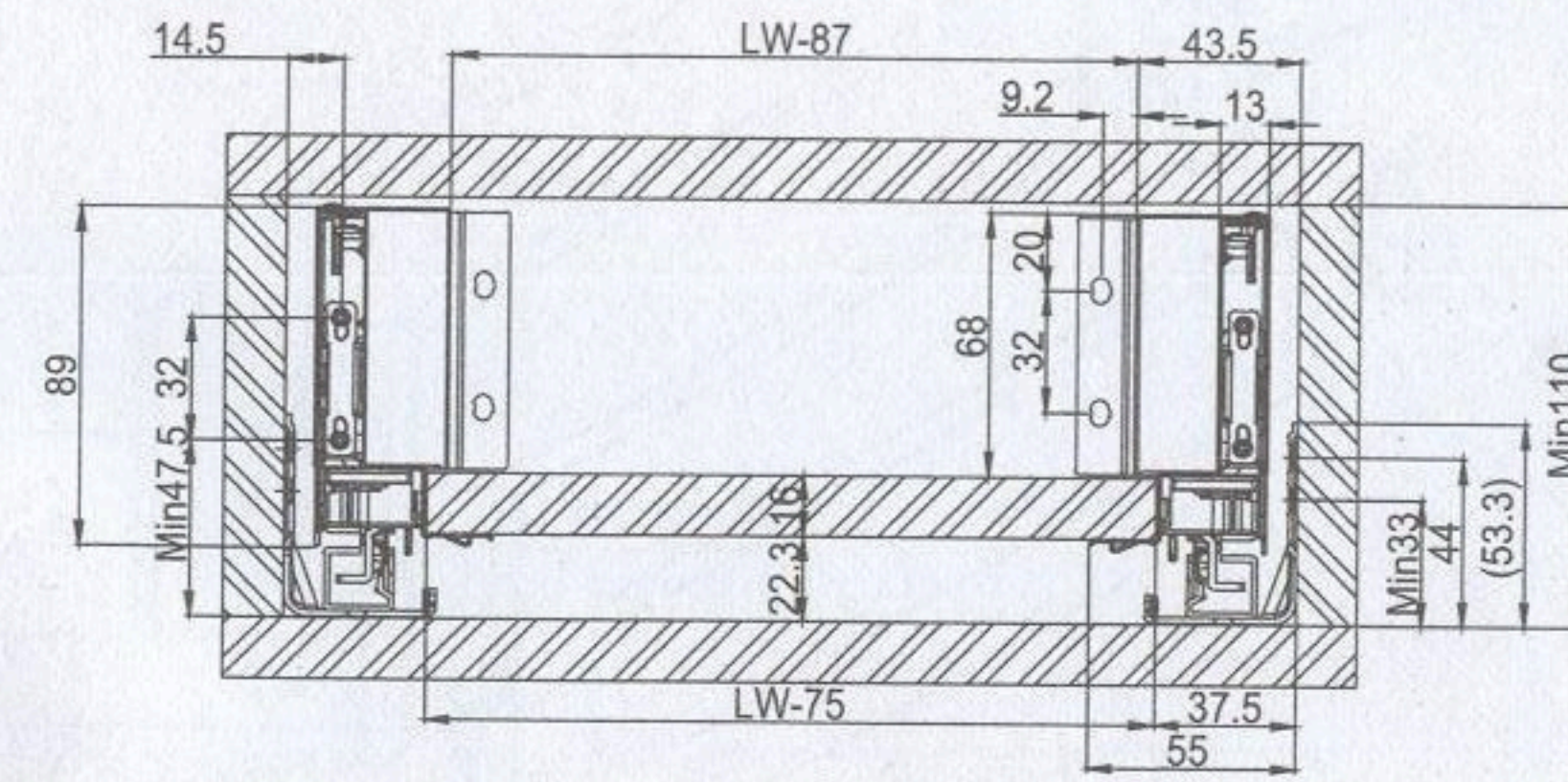
KB=Outer Width Of Cabinet
LW=Inner Width Of Cabinet
NL=Nominal Length



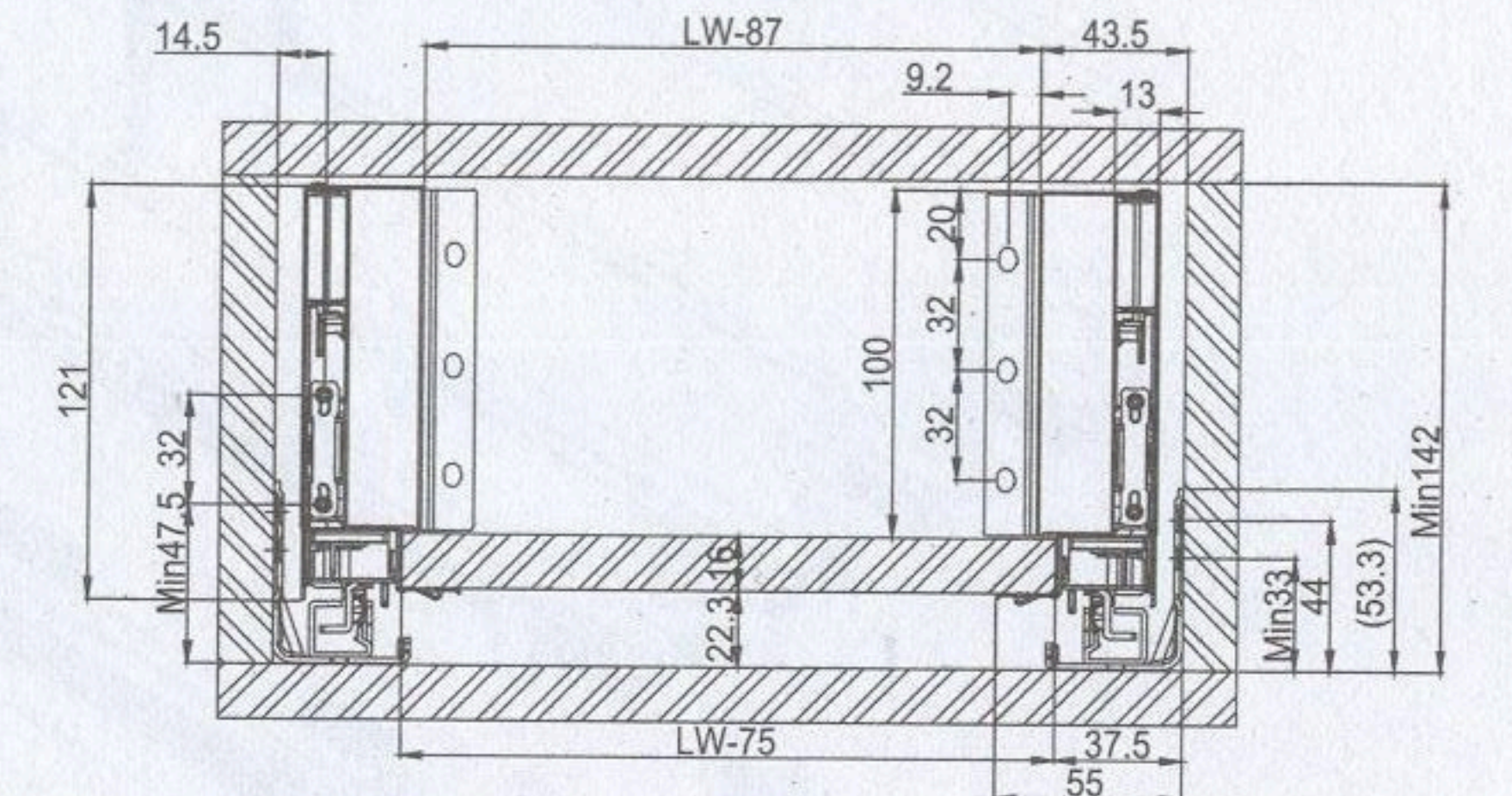
Height	84	116	167	199	Length	250	270	300	350	400	450	500	550
H(mm)	84	116	167	199	L1(mm)	0	0	0	100	100	100	100	100

INSTALLATION PARAMETERS

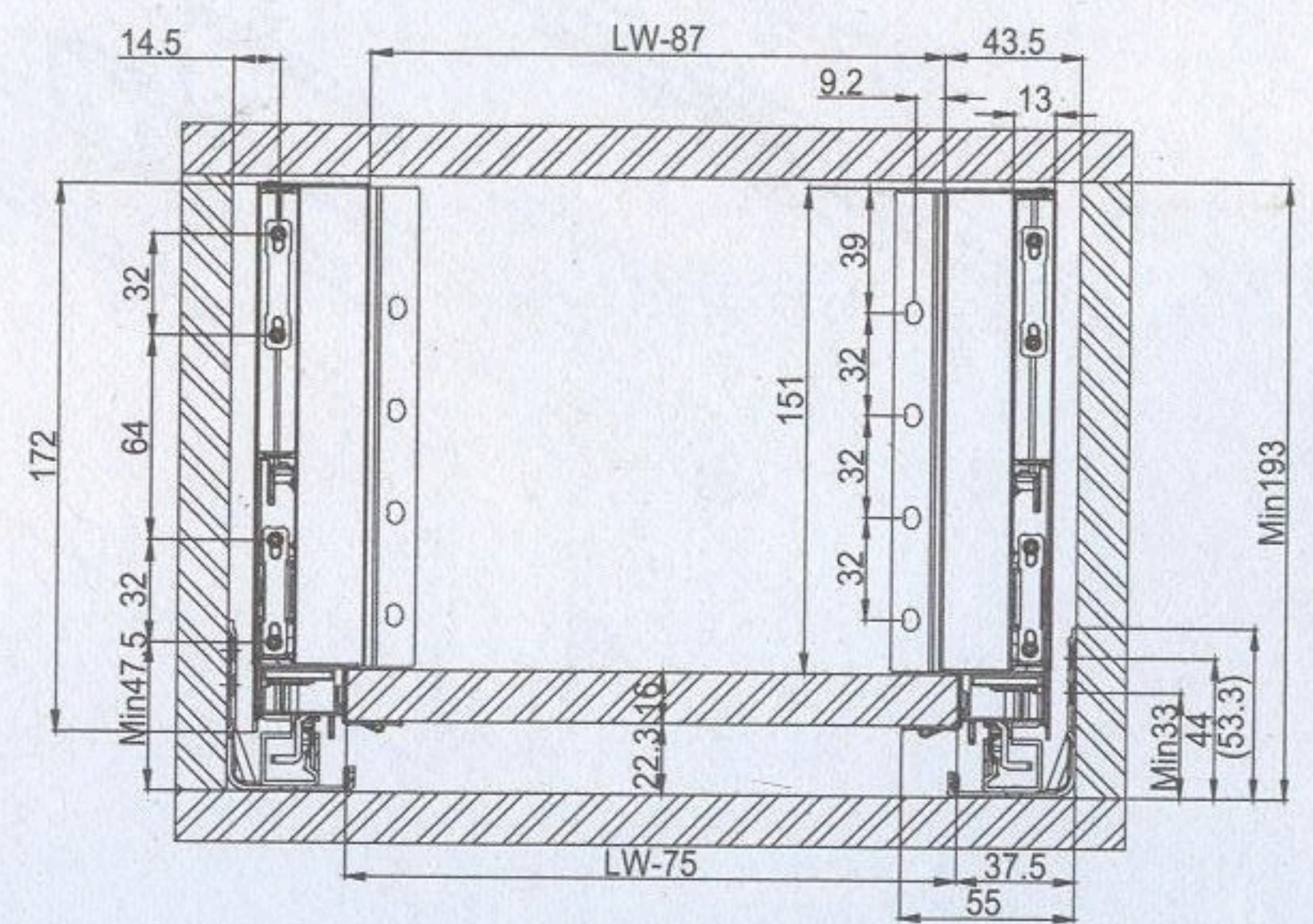
84 Installation Parameters



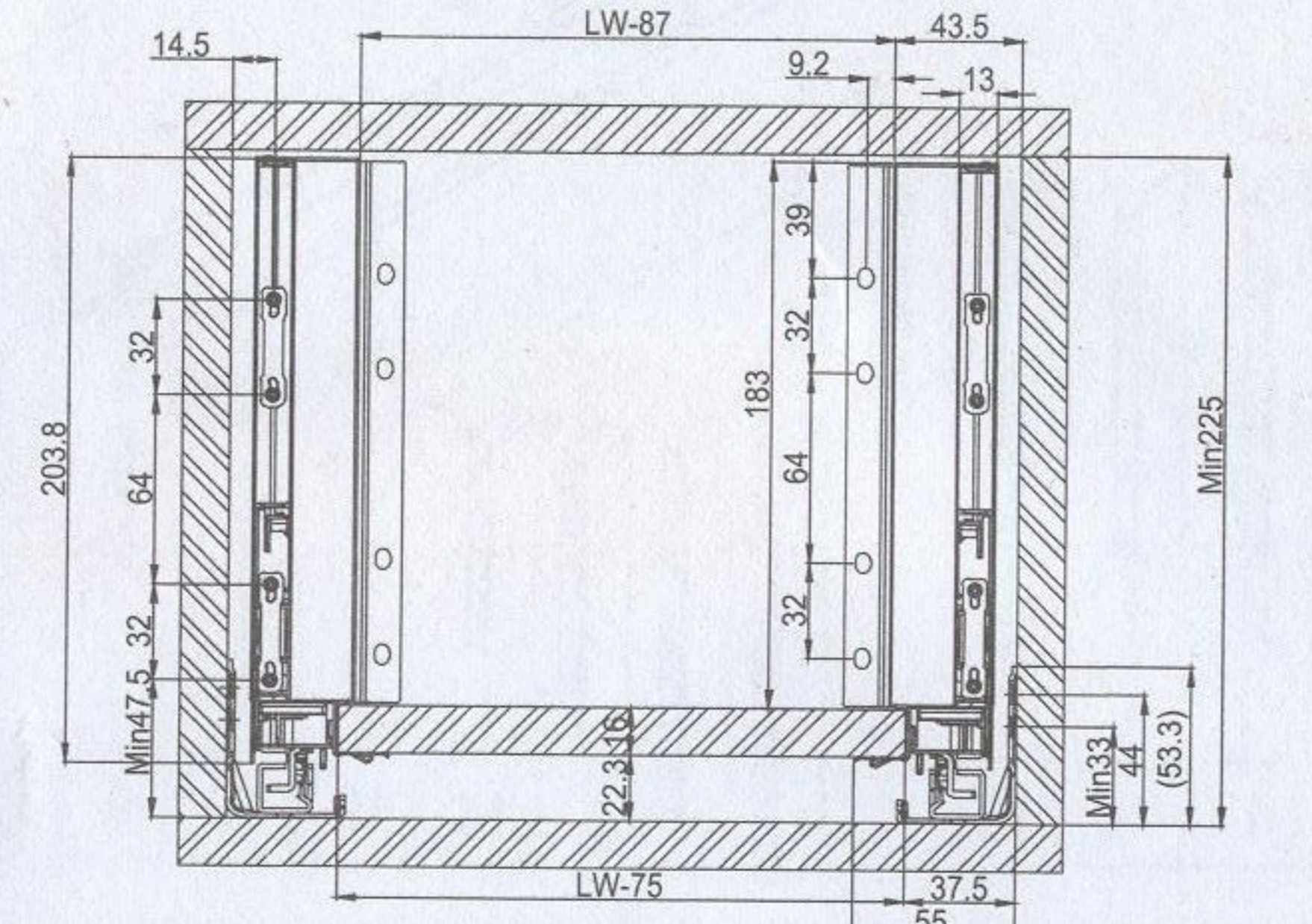
116 Installation Parameters



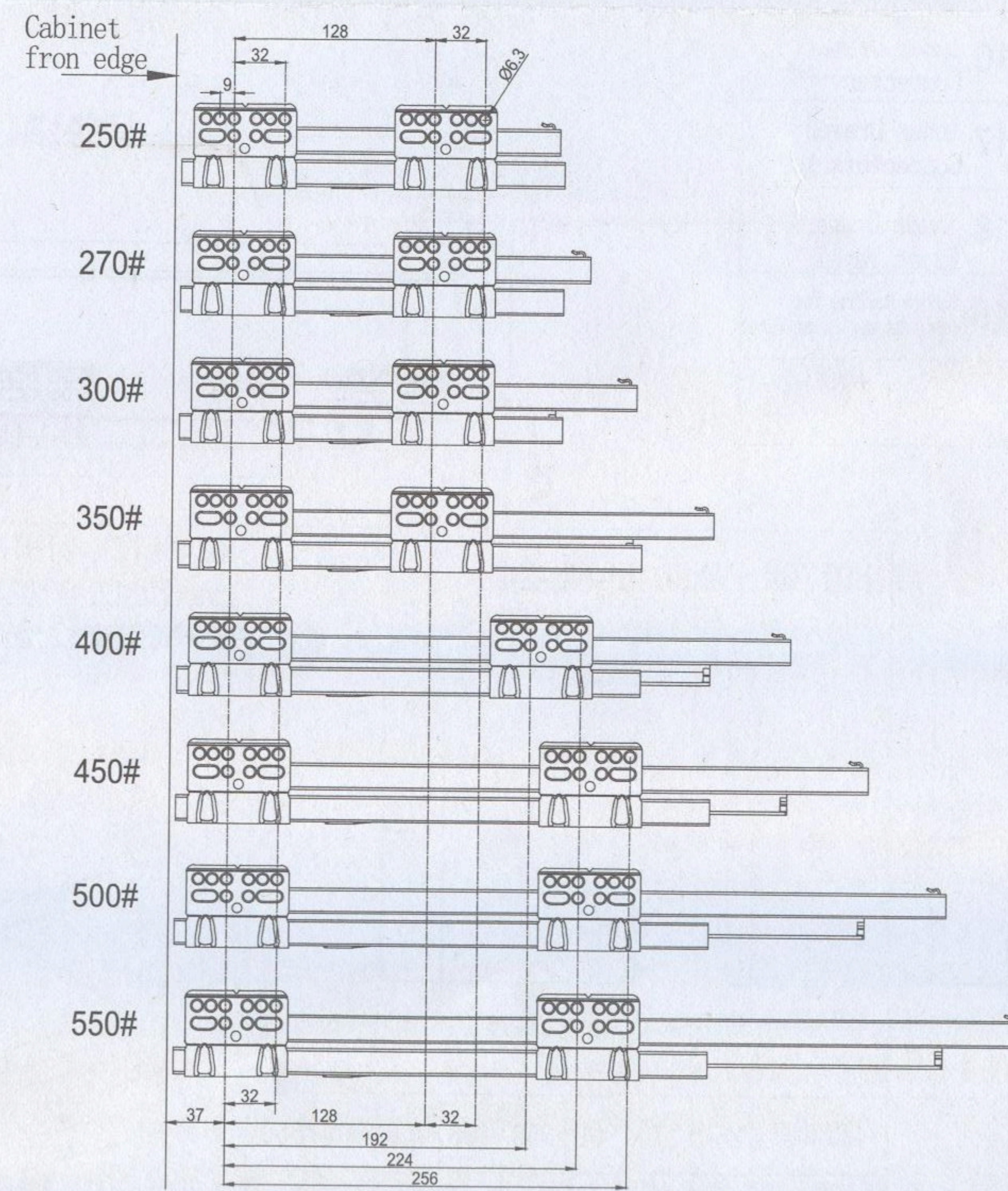
167 Installation Parameters



199 Installation Parameters



Mounting holes for rails



Mounting holes for Front Connectors

